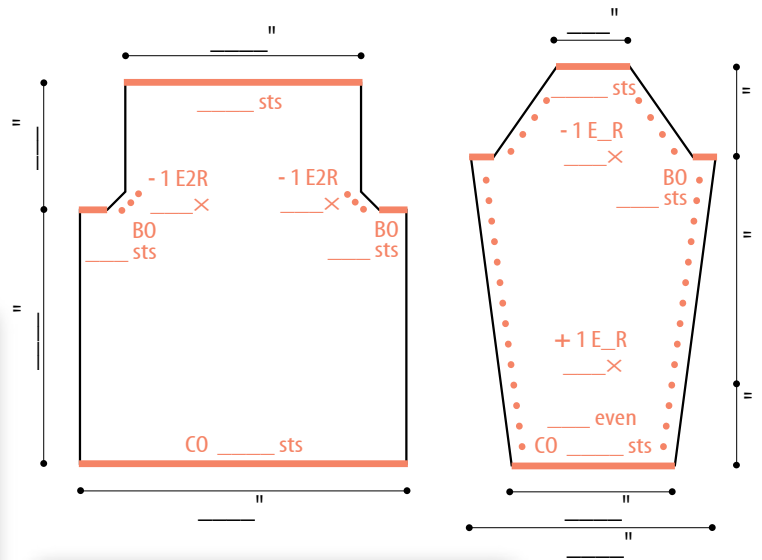


Worksheets

Photocopy this page OR download at KnittingUniverse.com/customjackets



Back

CAST ON

$$\frac{\text{width}}{\text{width}} \times \frac{\text{stitch gauge}}{\text{stitch gauge}} = \frac{\text{cast-on stitches}}{\text{cast-on stitches}}$$

SHOULDER

$$\frac{\text{shoulder width}}{\text{width}} \times \frac{\text{stitch gauge}}{\text{stitch gauge}} = \frac{\text{shoulder stitches}}{\text{* shoulder stitches}}$$

* Make even or odd to match cast-on.

SHAPE ARMHOLE

$$\frac{\text{cast-on stitches}}{\text{cast-on stitches}} - \frac{\text{shoulder stitches}}{\text{shoulder stitches}} = \frac{\text{stitches to BO and dec}}{\text{stitches to BO and dec}}$$

$$\frac{\text{stitches to BO and dec}}{\text{stitches to BO and dec}} \div 2 = \frac{\text{stitches to BO and dec at each armhole}}{\text{stitches to BO and dec at each armhole}}$$

$$\frac{\text{width to BO}}{\text{width to BO}} \times \frac{\text{stitch gauge}}{\text{stitch gauge}} = \frac{\text{stitches to BO}}{\text{stitches to BO}}$$

$$\frac{\text{width to dec}}{\text{width to dec}} \times \frac{\text{stitch gauge}}{\text{stitch gauge}} = \frac{\text{stitches to dec}}{\text{stitches to dec}}$$

Full-Figure Front

CAST ON

$$\frac{\text{width} + 1''}{\text{width} + 1''} \times \frac{\text{stitch gauge}}{\text{stitch gauge}} = \frac{\text{cast-on stitches}}{\text{cast-on stitches}}$$

SHAPE ARMHOLE bind off as for back

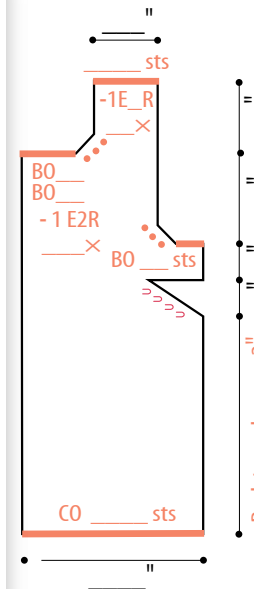
$$\frac{\text{width added to front}}{\text{width added to front}} \times \frac{\text{stitch gauge}}{\text{stitch gauge}} = \frac{\text{additional decreases for Front}}{\text{additional decreases for Front}} + \frac{\text{decreases for Back}}{\text{decreases for Back}} = \frac{\text{total decreases for Front}}{\text{total decreases for Front}}$$

BUST DART

$$\frac{\text{height of dart}}{\text{height of dart}} \times \frac{\text{row gauge}}{\text{row gauge}} = \frac{\text{rows for dart}}{\text{rows for dart}} \div 2 = \frac{\text{pairs of short rows}}{\text{pairs of short rows}}$$

$$\frac{\text{width of dart}}{\text{width of dart}} \times \frac{\text{stitch gauge}}{\text{stitch gauge}} = \frac{\text{stitches for dart}}{\text{stitches for dart}}$$

$$\frac{\text{stitches for dart}}{\text{stitches for dart}} \div \frac{\text{pairs of short rows}}{\text{pairs of short rows}} = \frac{\text{short-row stitch increment}}{\text{short-row stitch increment}} \text{ (+) } \frac{\text{add (or subtract) from first short row}}{\text{add (or subtract) from first short row}}$$



Sleeves

CAST ON

$$\frac{\text{width at wrist}}{\text{width at wrist}} \times \frac{\text{stitch gauge}}{\text{stitch gauge}} = \frac{\text{cast-on stitches}}{\text{cast-on stitches}}$$

SHAPE SLEEVE

$$\frac{\text{width at underarm}}{\text{width at underarm}} \times \frac{\text{stitch gauge}}{\text{stitch gauge}} = \frac{\text{stitches at underarm}}{\text{stitches at underarm}}$$

$$\frac{\text{stitches at underarm}}{\text{stitches at underarm}} - \frac{\text{cast-on stitches}}{\text{cast-on stitches}} = \frac{\text{stitches to inc}}{\text{stitches to inc}} \div 2 = \frac{\text{increase rows}}{\text{increase rows}} + 1 = \frac{\text{increase rows} + 1}{\text{increase rows} + 1}$$

$$\frac{\text{length to underarm}}{\text{length to underarm}} \times \frac{\text{row gauge}}{\text{row gauge}} = \frac{\text{rows to underarm}}{\text{rows to underarm}}$$

$$\frac{\text{rows to underarm}}{\text{rows to underarm}} \div \frac{\text{increase rows} + 1}{\text{increase rows} + 1} = \frac{\text{rows}}{\text{rows}} \text{ round down to next even number} = \frac{\text{rate of increase}}{\text{rate of increase}}$$

$$\frac{\text{increase rows}}{\text{increase rows}} \times \frac{\text{rate of increase}}{\text{rate of increase}} = \frac{\text{rows for shaping}}{\text{rows for shaping}}$$

$$\frac{\text{rows to underarm}}{\text{rows to underarm}} - \frac{\text{rows for shaping}}{\text{rows for shaping}} = \frac{\text{remaining rows}}{\text{remaining rows}} \div 2 = \frac{\text{additional rows to work before first and after last increase}}{\text{additional rows to work before first and after last increase}}$$

UNDERARM BINDOFF as for Fronts and Back

$$\frac{\text{stitches at underarm}}{\text{stitches at underarm}} - \frac{\text{total BO at underarm}}{\text{total BO at underarm}} = \frac{\text{stitches for cap}}{\text{stitches for cap}}$$

SHAPE CAP

$$\frac{\text{width at top}}{\text{width at top}} \times \frac{\text{stitch gauge}}{\text{stitch gauge}} = \frac{\text{stitches to BO at top}}{\text{stitches to BO at top}}$$

$$\frac{\text{stitches for cap}}{\text{stitches for cap}} - \frac{\text{stitches to BO at top}}{\text{stitches to BO at top}} = \frac{\text{stitches to decrease}}{\text{stitches to decrease}} \div 2 = \frac{\text{dec rows in cap}}{\text{dec rows in cap}}$$

$$\frac{\text{height of cap}}{\text{height of cap}} \times \frac{\text{row gauge}}{\text{row gauge}} = \frac{\text{rows in cap height}}{\text{rows in cap height}} \div 2 = \frac{\text{RS rows in cap}}{\text{RS rows in cap}}$$

$$\frac{\text{RS rows in cap}}{\text{RS rows in cap}} - \frac{\text{decrease rows}}{\text{decrease rows}} = \frac{\text{times to dec every 4 rows}}{\text{times to dec every 4 rows}}$$

$$\frac{\text{decrease rows}}{\text{decrease rows}} - \frac{\text{times to dec every 4 rows}}{\text{times to dec every 4 rows}} = \frac{\text{times to dec every 2 rows}}{\text{times to dec every 2 rows}}$$

Left Front, Round Neck

CAST ON

$$\frac{\text{width}}{\text{width}} \times \frac{\text{stitch gauge}}{\text{stitch gauge}} = \frac{\text{cast-on stitches}}{\text{cast-on stitches}}$$

SHAPE ARMHOLE as for Back

$$\frac{\text{cast-on stitches}}{\text{cast-on stitches}} - \frac{\text{stitches to BO or dec at each armhole}}{\text{stitches to BO or dec at each armhole}} = \frac{\text{stitches remain on Front}}{\text{stitches remain on Front}}$$

FRONT SHOULDER

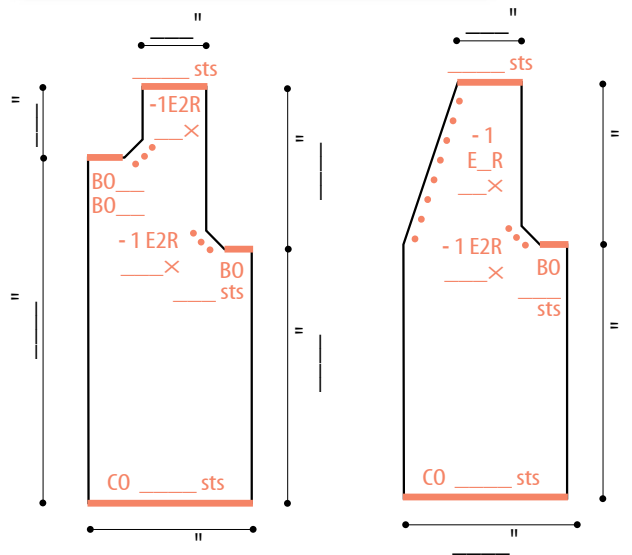
$$\frac{\text{width}}{\text{width}} \times \frac{\text{stitch gauge}}{\text{stitch gauge}} = \frac{\text{shoulder stitches}}{\text{shoulder stitches}}$$

SHAPE ROUND NECK

$$\frac{\text{Front stitches}}{\text{Front stitches}} - \frac{\text{shoulder stitches}}{\text{shoulder stitches}} = \frac{\text{stitches to BO or dec}}{\text{stitches to BO or dec}}$$

$$\frac{\text{width to BO}}{\text{width to BO}} \times \frac{\text{stitch gauge}}{\text{stitch gauge}} = \frac{\text{stitches to BO}}{\text{stitches to BO}}$$

$$\frac{\text{width to dec}}{\text{width to dec}} \times \frac{\text{stitch gauge}}{\text{stitch gauge}} = \frac{\text{stitches to dec}}{\text{stitches to dec}}$$



Left Front, V-Neck

SHAPE V-NECK

$$\frac{\text{width of V}}{\text{width of V}} - \frac{\text{stitch gauge}}{\text{stitch gauge}} = \frac{\text{stitches to decrease for V-neck, decrease rows}}{\text{stitches to decrease for V-neck, decrease rows}}$$

$$\frac{\text{length from beginning of V-neck to end of shaping}}{\text{length from beginning of V-neck to end of shaping}} \times \frac{\text{row gauge}}{\text{row gauge}} = \frac{\text{rows for shaping}}{\text{rows for shaping}}$$

$$\frac{\text{rows for shaping}}{\text{rows for shaping}} \div 2 = \frac{\text{RS rows}}{\text{RS rows}}$$

$$\frac{\text{RS rows}}{\text{RS rows}} - \frac{\text{decrease rows}}{\text{decrease rows}} = \frac{\text{times to dec every 4 rows}}{\text{times to dec every 4 rows}}$$

$$\frac{\text{decrease rows}}{\text{decrease rows}} - \frac{\text{times to dec every 4 rows}}{\text{times to dec every 4 rows}} = \frac{\text{times to dec every 2 rows}}{\text{times to dec every 2 rows}}$$